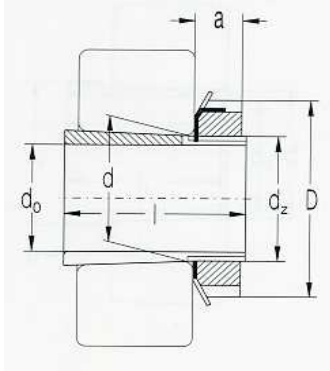


serie H200



Adapter Number	Nominal Dimensions						Appropriate	Appropriate	Bearing	Weight kg
	d ₀	d	d _z	D	l	a	Nut	Locking		
H204	17	20	M20*1	32	24	7	KM4	MB4	1204K	0,041
H205	20	25	M25*1,5	38	26	8	KM5	MB5	1205K	0,070
H206	25	30	M30*1,5	45	27	8	KM6	MB6	1206K	0,099
H207	30	35	M35*1,5	52	29	9	KM7	MB7	1207K	0,125
H208	35	40	M40*1,5	58	31	10	KM8	MB8	1208K	0,174
H209	40	45	M45*1,5	65	33	11	KM9	MB9	1209K	0,227
H210	45	50	M50*1,5	70	35	12	KM10	MB10	1210K	0,274
H211	50	55	M55*2	75	37	12	KM11	MB11	1211K	0,308
H212	55	60	M60*2	80	38	13	KM12	MB12	1212K	0,346
H213	60	65	M65*2	85	40	14	KM13	MB13	1213K	0,401
H215	65	75	M75*2	98	43	15	KM15	MB15	1215K	0,707
H216	70	80	M80*2	105	46	17	KM16	MB16	1216K	0,882
H217	75	85	M85*2	110	50	18	KM17	MB17	1217K	1,020
H218	80	90	M90*2	120	62	18	KM18	MB18	1218K	1,190
H219	85	95	M95*2	125	55	19	KM19	MB19	1219K	1,370
H220	90	100	M100*2	130	58	20	KM20	MB20	1220K	1,490
H222	100	110	M110*2	145	63	21	KM22	MB22	1222K	1,930