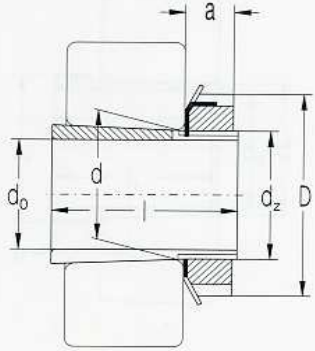


serie H3100



Adapter Number	Dimensions						Appropriate Nut	Appropriate Locking	Weight
	d ₀	d	d _z	D	L	a			kg
H 3122	100	110	M110*2	145	81	21	KM22	MB22	2,25
H 3124	110	120	M120*2	155	88	22	KM24	MB24	2,64
H 3126	115	130	M130*2	165	92	23	KM26	MB26	3,66
H 3128	125	140	M140*2	180	97	24	KM28	MB28	4,34
H 3130	135	150	M150*2	195	111	26	KM30	MB30	5,52
H 3132	140	160	M160*3	210	119	28	KM32	MB32	7,67
H 3134	150	170	M170*3	220	122	29	KM34	MB34	8,36
H 3136	160	180	M180*3	230	131	30	KM36	MB36	9,50
H 3138	170	190	M190*3	240	141	31	KM38	MB38	10,80
H 3140	180	200	M200*3	250	150	32	KM40	MB40	12,10