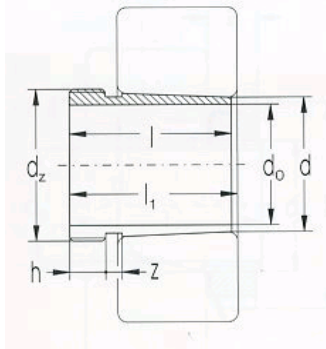


serie AH2308



Bearing Number	Dimensions							Corespon. Nut	Weight
	d_0	d	d_z	l	l_1	h	z		
AH2308	35	40	M45x1,5	40	43	7	6	KM9	0,129
AH2309	40	45	M50x1,5	44	47	7	6	KM10	0,163
AH2310	45	50	M55x2	50	53	8	6	KM11	0,236
AH2311	50	55	M60x2	54	57	9	6	KM12	0,257
AH2312	55	60	M65x2	57	61	10	7	KM13	0,299
AH2313	60	65	M75x2	61	64	11	7	KM15	0,399
AH2314	65	70	M80x2	65	68	12	7	KM16	0,466
AH2315	70	75	M85x2	69	72	12	7	KM17	0,536
AH2316	75	80	M90x2	72	75	12	7	KM18	0,602
AH2317	80	85	M95x2	75	78	13	7	KM19	0,676
AH2318	85	90	M100x2	80	83	17	7	KM20	0,777
AH2319	90	95	M105x2	85	89	15	8	KM21	0,888
AH2320	95	100	M110x2	90	94	15	8	KM22	1,000