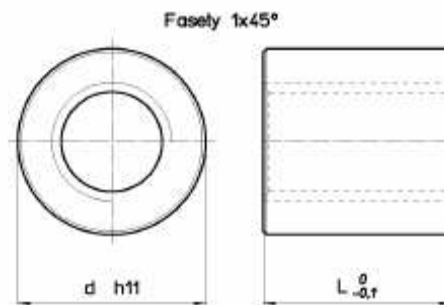


Trapézové
matice MZP -
válcová, ocel



Nut Stock no. RIGHT	Nut Stock no. LEFT	DIAMETER X lead	Thread starts	d mm	L mm	Wt. Kg/each	At mm ² (1)
MZP 10 T R	MZP 10 T L	Tr 10 x2	1	22	15	0.038	150
MZP 10 A R	MZP 10 A L	Tr 10x3	1	22	15	0.037	240
MZP 12 A R	MZP 12 A L	Tr 12x3	1	26	18	0.061	296
MZP 12 B R	--	Tr 12x6 (P3)	2	26	18	0.061	296
MZP 14 R R	MZP 14 R L	Tr 14x3	1	30	21	0.095	395
MZP 14 A R	MZP 14 A L	Tr 14x4	1	30	21	0.095	395
MZP 16 A R	MZP 16 A L	Tr 16x4	1	36	24	0.158	528
MZP 18 A R	MZP 18 A L	Tr 18x4	1	40	27	0.218	553
MZP 20 A R	MZP 20 A L	Tr 20x4	1	45	30	0.308	847
MZP 22 A R	MZP 22 A L	Tr 22x5	1	45	33	0.324	1010
MZP 24 A R	MZP 24 A L	Tr 24x5	1	50	36	0.440	1215
MZP 26 A R	MZP 26 A L	Tr 26x5	1	50	39	0.454	1440
MZP 28 A R	MZP 28 A L	Tr 28x5	1	60	42	0.747	1680
MZP 30 A R	MZP 30 A L	Tr 30x6	1	60	45	0.773	1908
MZP 32 A R	MZP 32 A L	Tr 32x6	1	60	48	0.790	2186
MZP 36 A R	MZP 36 A L	Tr 36x6	1	75	54	1.476	2800
MZP 40 A R	MZP 40 A L	Tr 40x7	1	80	60	1.826	3440
MZP 44 A R	MZP 44 A L	Tr 44x7	1	80	66	1.878	4200
MZP 50 A R	MZP 50 A L	Tr 50x8	1	90	75	2.680	5418
MZP 60 A R	MZP 60 A L	Tr 60x9	1	100	90	3.698	7847
MZP 70 A R	MZP 70 A L	Tr 70x10	1	110	105	4.884	10200
MZP 80 A R	MZP 80 A L	Tr 80x10	1	120	120	6.210	14137

Materiál: ocel 11SMn30

www.ebeco.cz

ebeco cz, s.r.o.