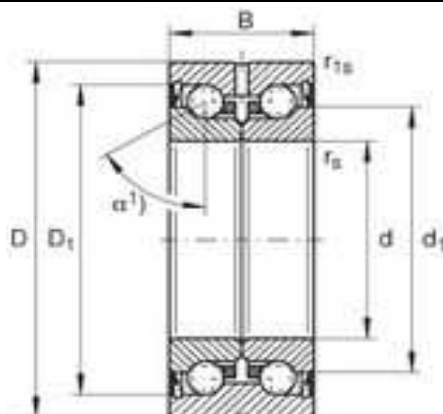


Kuličkové šrouby -  
příslušenství ZKLN -  
kuličková ložiska s  
kosouhlým stykem



| Průměr<br>hřídele<br>(mm) | Označení       | Těžká řada    | Hmot-<br>nost<br>(kg) | Rozměry (mm) |            |             |           |            |       |      |                  |                  |
|---------------------------|----------------|---------------|-----------------------|--------------|------------|-------------|-----------|------------|-------|------|------------------|------------------|
|                           |                |               |                       | d<br>-0,005  | D<br>-0,01 | B<br>- 0,25 | rs<br>min | r1s<br>min | d1    | D1   | Da <sup>2)</sup> | da <sup>2)</sup> |
| 6                         | ZKLN 0619-2Z   |               | 0.02                  | 6            | 19         | 12          | 0.3       | 0.3        | 12.0  | 16.5 | 16               | 9                |
|                           | ZKLN 0624-2RS  |               | 0.03                  | 6            | 24         | 15          | 0.3       | 0.6        | 14.0  | 19.5 | 19               | 9                |
|                           | ZKLN 0624-2Z   |               | 0.03                  | 6            | 24         | 15          | 0.3       | 0.6        | 14.0  | 19.5 | 19               | 9                |
| 8                         | ZKLN 0832-2RS  |               | 0.09                  | 8            | 32         | 20          | 0.3       | 0.6        | 19.0  | 26.5 | 26               | 12               |
|                           | ZKLN 0832-2Z   |               | 0.09                  | 8            | 32         | 20          | 0.3       | 0.6        | 19.0  | 26.5 | 26               | 12               |
| 10                        | ZKLN 1034-2RS  |               | 0.10                  | 10           | 34         | 20          | 0.3       | 0.6        | 21.0  | 28.5 | 28               | 14               |
|                           | ZKLN 1034-2Z   |               | 0.10                  | 10           | 34         | 20          | 0.3       | 0.6        | 21.0  | 28.5 | 28               | 14               |
| 12                        | ZKLN 1242-2RS  |               | 0.20                  | 12           | 42         | 25          | 0.3       | 0.6        | 25.0  | 33.5 | 33               | 16               |
|                           | ZKLN 1242-2Z   |               | 0.20                  | 12           | 42         | 25          | 0.3       | 0.6        | 25.0  | 33.5 | 33               | 16               |
| 15                        | ZKLN 1545-2RS  |               | 0.21                  | 15           | 45         | 25          | 0.3       | 0.6        | 28.0  | 36.0 | 35               | 20               |
|                           | ZKLN 1545-2Z   |               | 0.21                  | 15           | 45         | 25          | 0.3       | 0.6        | 28.0  | 36.0 | 35               | 20               |
| 17                        | ZKLN 1747-2RS  |               | 0.22                  | 17           | 47         | 25          | 0.3       | 0.6        | 30.0  | 38.0 | 37               | 23               |
|                           | ZKLN 1747-2Z   |               | 0.22                  | 17           | 47         | 25          | 0.3       | 0.6        | 30.0  | 38.0 | 37               | 23               |
| 20                        | ZKLN 2052-2RS  |               | 0.31                  | 20           | 52         | 28          | 0.3       | 0.6        | 34.5  | 44.0 | 43               | 25               |
|                           | ZKLN 2052-2Z   |               | 0.31                  | 20           | 52         | 28          | 0.3       | 0.6        | 34.5  | 44.0 | 43               | 25               |
| 25                        | ZKLN 2557-2RS  |               | 0.34                  | 25           | 57         | 28          | 0.3       | 0.6        | 40.5  | 49.0 | 48               | 32               |
|                           | ZKLN 2557-2Z   |               | 0.34                  | 25           | 57         | 28          | 0.3       | 0.6        | 40.5  | 49.0 | 48               | 32               |
| 30                        | ZKLN 3062-2RS  |               | 0.39                  | 30           | 62         | 28          | 0.3       | 0.6        | 45.5  | 54.0 | 53               | 40               |
|                           | ZKLN 3062-2Z   |               | 0.39                  | 30           | 62         | 28          | 0.3       | 0.6        | 45.5  | 54.0 | 53               | 40               |
| 30                        |                | ZKLN 3072-2RS | 0.72                  | 30           | 72         | 38          | 0.3       | 0.6        | 51.0  | 65.0 | 64               | 47               |
|                           |                | ZKLN 3072-2Z  | 0.72                  | 30           | 72         | 38          | 0.3       | 0.6        | 51.0  | 65.0 | 64               | 47               |
| 35                        | ZKLN 3572-2RS  |               | 0.51                  | 35           | 72         | 34          | 0.3       | 0.6        | 52.0  | 63.0 | 62               | 45               |
|                           | ZKLN 3572-2Z   |               | 0.51                  | 35           | 72         | 34          | 0.3       | 0.6        | 52.0  | 63.0 | 62               | 45               |
| 40                        | ZKLN 4075-2RS  |               | 0.61                  | 40           | 75         | 34          | 0.3       | 0.6        | 58.0  | 68.0 | 67               | 50               |
|                           | ZKLN 4075-2Z   |               | 0.61                  | 40           | 75         | 34          | 0.3       | 0.6        | 58.0  | 68.0 | 67               | 50               |
| 40                        |                | ZKLN 4090-2RS | 0.95                  | 40           | 90         | 46          | 0.6       | 0.6        | 65.0  | 80.0 | 80               | 56               |
|                           |                | ZKLN 4090-2Z  | 0.95                  | 40           | 90         | 46          | 0.6       | 0.6        | 65.0  | 80.0 | 80               | 56               |
| 50                        | ZKLN 5090-2RS  |               | 0.88                  | 50           | 90         | 34          | 0.3       | 0.6        | 72.0  | 82.0 | 82               | 63               |
|                           | ZKLN 5090-2Z   |               | 0.88                  | 50           | 90         | 34          | 0.3       | 0.6        | 72.0  | 82.0 | 82               | 63               |
| 50                        |                | ZKLN 50110-   | 2.50                  | 50           | 110        | 54          | 0.6       | 0.6        | 80.0  | 98.0 | 98               | 63               |
|                           |                | ZKLN 50110-2Z | 2.50                  | 50           | 110        | 54          | 0.6       | 0.6        | 80.0  | 98.0 | 98               | 63               |
| 60                        | ZKLN 60110-2Z  |               | 2.20                  | 60           | 110        | 45          | 0.6       | 0.6        | 85.0  | 100  | 100              | 85               |
| 70                        | ZKLN 70120-2Z  |               | 2.40                  | 70           | 120        | 45          | 0.6       | 0.6        | 95.0  | 110  | 110              | 92               |
| 80                        | ZKLN 80130-2Z  |               | 2.70                  | 80           | 130        | 45          | 0.6       | 0.6        | 105.0 | 120  | 120              | 102              |
| 90                        | ZKLN 90150-2Z  |               | 4.50                  | 90           | 150        | 55          | 0.6       | 0.6        | 120.0 | 138  | 138              | 116              |
| 100                       | ZKLN 100160-2Z |               | 4.90                  | 100          | 160        | 55          | 0.6       | 0.6        | 132.0 | 150  | 150              | 128              |