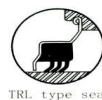
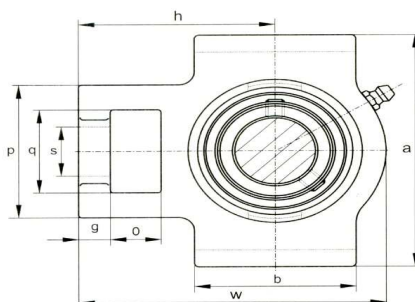
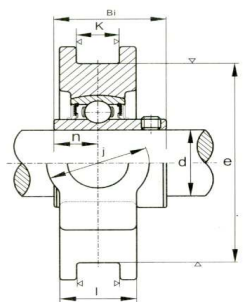


serie UCT  
200



Bearing unit No.	Shaft Dia.	Dimension /mm/															Bearing No.:	Housing No.:	Weight /kg/
	/mm/	o	g	p	q	s	b	K	e	a	W	j	l	h	Bi	n			
UCT 201	12	16,0	10	51	32	19	51	12	76	89,0	94,0	32,0	21,0	61,0	31,0	12,7	UC 201	T 204	0,79
UCT 202	15	16,0	10	51	32	19	51	12	76	89,0	94,0	32,0	21,0	61,0	31,0	12,7	UC 202	T 204	0,78
UCT 203	17	16,0	10	51	32	19	51	12	76	89,0	94,0	32,0	21,0	61,0	31,0	12,7	UC 203	T 204	0,76
UCT 204	20	16,0	10	51	32	19	51	12	76	89,0	94,0	32,0	21,0	61,0	31,0	12,7	UC 204	T 204	0,74
UCT 205	25	16,0	10	51	32	19	51	12	76	89,0	97,0	32,0	24,0	62,0	34,0	14,3	UC 205	T 205	0,83
UCT 206	30	16,0	10	56	37	22	57	12	89	102,0	113,0	37,0	28,0	70,0	38,1	25,9	UC 206	T 206	1,30
UCT 207	35	16,0	13	64	37	22	64	12	89	102,0	129,0	37,0	30,0	78,0	42,9	17,5	UC 207	T 207	1,61
UCT 208	40	19,0	16	83	49	29	83	16	102	114,0	144,0	49,0	33,0	88,0	49,2	19,0	UC 208	T 208	2,40
UCT 209	45	19,0	16	83	49	29	83	16	102	117,0	144,0	49,0	35,0	87,0	49,2	19,0	UC 209	T 209	2,40
UCT 210	50	19,0	16	83	49	29	86	16	102	117,0	149,0	49,0	37,0	90,0	51,6	19,0	UC 210	T 210	2,50
UCT 211	55	25,0	19	102	64	35	95	22	130	146,0	171,0	64,0	38,0	106,0	55,6	22,2	UC 211	T 211	4,00
UCT 212	60	32,0	19	102	64	35	102	22	130	146,0	194,0	64,0	42,0	119,0	65,1	25,4	UC 212	T 212	5,00
UCT 213	65	32,0	21	111	70	41	121	26	151	167,0	224,0	70,0	44,0	137,0	65,1	25,4	UC 213	T 213	6,90
UCT 214	70	32,0	21	111	70	41	121	26	151	167,0	224,0	70,0	46,0	137,0	74,6	30,2	UC 214	T 214	7,00
UCT 215	75	32,0	21	111	70	41	121	26	151	167,0	232,0	70,0	48,0	140,0	77,8	33,3	UC 215	T 215	7,40
UCT 216	80	32,0	21	111	70	41	121	26	165	184,0	235,0	70,0	51,0	140,0	82,6	33,3	UC 216	T 216	8,30
UCT 217	85	38,0	29	124	73	48	157	30	173	198,0	260,0	73,0	54,0	162,0	85,7	34,1	UC 217	T 217	11,10