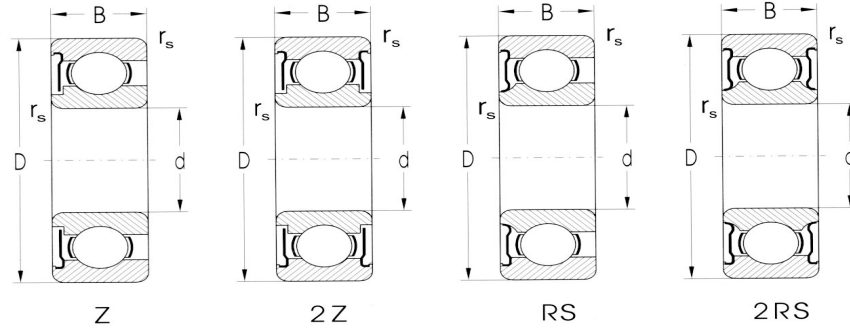


serie 16000



Bearing Number	Nominal Dimensions				Load Rating (kN)		Limiting Speed (RPM)		Weight kg
	(mm)				Dynamic	Static	Grease	Oil	
	d	D	B	r	C	Co	Lube	Lube	
16002	15	30	8	0.3	4.00	2.05	22000	28000	0.037
16003	17	35	8	0.3	6.00	3.25	20000	26000	0.044
16004	20	42	8	0.3	7.95	4.50	17000	20000	0.050
16005	25	47	8	0.3	8.40	5.10	15000	18000	0.058
16006	30	55	9	0.3	11.2	7.35	15000	12000	0.087
16007	35	62	9	0.3	12.2	8.85	10000	13000	0.111
16008	40	68	9	0.3	13.3	9.80	9500	12000	0.130
16009	45	75	10	0.6	15.5	12.3	9000	11000	0.170
16010	50	80	10	0.6	16.3	13.1	8500	10000	0.188
16011	55	90	11	0.6	19.3	16.3	7500	9000	0.260
16012	60	95	11	0.6	20.0	17.6	7000	8500	0.280
16013	65	100	11	0.6	22.9	19.6	6300	7500	0.300
16014	70	110	13	0.6	27.9	25.0	6000	7000	0.433
16015	75	115	13	0.6	28.5	26.8	5600	6700	0.460
16016	80	125	14	0.6	31.9	29.7	5300	6300	0.600
16017	85	130	14	1.0	33.8	33.5	5000	6000	0.630
16018	90	140	16	1.0	41.9	40.4	4500	5300	0.850
16019	95	145	24	1.0	60.5	53.6	4300	5000	0.890
16020	100	150	16	1.0	45.0	44.0	4300	5000	0.910