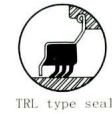
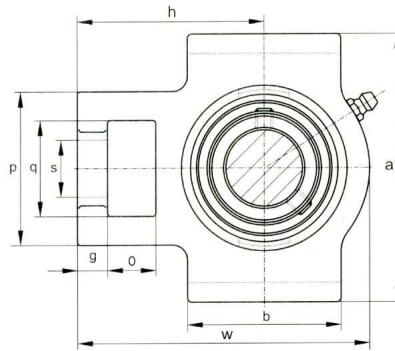
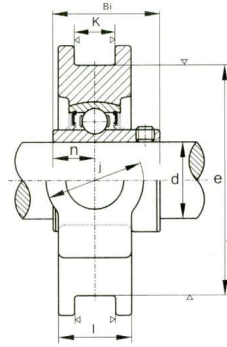


serie  
UCT300



| Bearing unit No. | Shaft Dia. /mm/ | Dimension /mm/ |    |     |     |    |     |    |     |     |     |     |     |     |     |    | Bearing No.: | Housing No.: | Weight kg |
|------------------|-----------------|----------------|----|-----|-----|----|-----|----|-----|-----|-----|-----|-----|-----|-----|----|--------------|--------------|-----------|
|                  |                 | o              | g  | p   | q   | s  | b   | K  | e   | a   | W   | j   | l   | h   | Bi  | n  |              |              |           |
| UCT 305          | 25              | 16             | 12 | 62  | 36  | 26 | 65  | 12 | 80  | 89  | 122 | 36  | 26  | 76  | 38  | 15 | UC 305       | T 305        | 1,4       |
| UCT306           | 30              | 18             | 14 | 70  | 41  | 28 | 74  | 16 | 90  | 100 | 137 | 41  | 28  | 85  | 43  | 17 | UC 306       | T 306        | 1,8       |
| UCT 307          | 35              | 20             | 15 | 75  | 45  | 30 | 80  | 16 | 100 | 111 | 150 | 45  | 32  | 94  | 48  | 19 | UC 307       | T 307        | 2,3       |
| UCT 308          | 40              | 22             | 17 | 83  | 50  | 32 | 89  | 18 | 112 | 124 | 162 | 50  | 34  | 100 | 52  | 19 | UC 308       | T 308        | 3,0       |
| UCT 309          | 45              | 24             | 18 | 90  | 55  | 34 | 97  | 18 | 125 | 138 | 178 | 55  | 38  | 110 | 57  | 22 | UC 309       | T 309        | 4,1       |
| UCT 310          | 50              | 27             | 20 | 98  | 61  | 37 | 106 | 20 | 140 | 151 | 191 | 61  | 40  | 117 | 61  | 22 | UC 310       | T 310        | 4,9       |
| UCT 311          | 55              | 29             | 21 | 105 | 66  | 39 | 115 | 22 | 150 | 163 | 207 | 66  | 44  | 127 | 66  | 25 | UC 311       | T 311        | 6,1       |
| UCT 312          | 60              | 31             | 23 | 113 | 71  | 41 | 123 | 22 | 160 | 178 | 220 | 71  | 46  | 135 | 71  | 26 | UC 312       | T 312        | 7,6       |
| UCT 313          | 65              | 32             | 25 | 116 | 70  | 43 | 134 | 26 | 170 | 190 | 238 | 80  | 50  | 146 | 75  | 30 | UC 313       | T 313        | 9,3       |
| UCT 314          | 70              | 36             | 25 | 130 | 85  | 46 | 140 | 26 | 180 | 202 | 252 | 90  | 52  | 155 | 78  | 33 | UC 314       | T 314        | 11,1      |
| UCT 315          | 75              | 36             | 25 | 132 | 85  | 46 | 150 | 26 | 192 | 216 | 262 | 90  | 55  | 160 | 82  | 32 | UC 315       | T 315        | 13,0      |
| UCT 316          | 80              | 42             | 28 | 150 | 98  | 53 | 160 | 30 | 204 | 230 | 282 | 102 | 60  | 174 | 86  | 34 | UC 316       | T 316        | 16,2      |
| UCT 317          | 85              | 42             | 30 | 152 | 98  | 53 | 170 | 32 | 214 | 240 | 298 | 102 | 64  | 183 | 96  | 40 | UC 317       | T 317        | 19,0      |
| UCT 318          | 90              | 46             | 30 | 160 | 106 | 57 | 175 | 32 | 228 | 255 | 312 | 110 | 66  | 192 | 96  | 40 | UC 318       | T 318        | 21,6      |
| UCT 319          | 95              | 46             | 31 | 165 | 106 | 57 | 180 | 35 | 240 | 270 | 322 | 110 | 72  | 197 | 103 | 41 | UC 319       | T 319        | 24,9      |
| UCT 320          | 100             | 48             | 32 | 175 | 115 | 59 | 200 | 35 | 260 | 290 | 345 | 120 | 75  | 210 | 108 | 42 | UC 320       | T 320        | 30,7      |
| UCT 322          | 110             | 52             | 38 | 185 | 125 | 65 | 215 | 38 | 285 | 320 | 385 | 130 | 80  | 235 | 117 | 46 | UC 322       | T 322        | 39,7      |
| UCT 324          | 120             | 60             | 42 | 210 | 140 | 70 | 230 | 45 | 320 | 355 | 432 | 140 | 90  | 267 | 126 | 51 | UC 324       | T 324        | 54,4      |
| UCT 326          | 130             | 65             | 45 | 220 | 150 | 75 | 240 | 50 | 350 | 385 | 465 | 150 | 100 | 285 | 135 | 54 | UC 326       | T 326        | 69,3      |
| UCT 328          | 140             | 70             | 50 | 230 | 160 | 80 | 255 | 50 | 380 | 415 | 515 | 155 | 100 | 315 | 145 | 59 | UC 328       | T 328        | 85,1      |