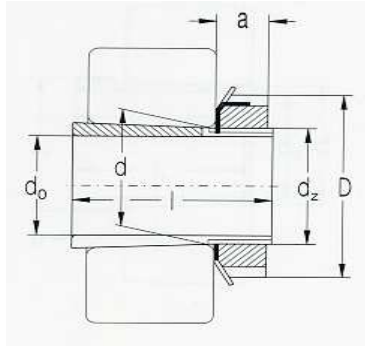


serie H300



Adapter Number	Nominal Dimensions						Appropriate	Appropriate	Bearing		Weight kg
	(mm)						Nut	Locking			
	d0	d	dz	D	l	a					
H304	17	20	M20*1	32	28	7	KM4	MB4	2204K	1304K	0,045
H305	20	25	M25*1,5	38	29	8	KM5	MB5	2205K	1305K	0,075
H306	25	30	M30*1,5	45	31	8	KM6	MB6	2206K	1306K	0,109
H307	30	35	M35*1,5	52	35	9	KM7	MB7	2207K	1307K	0,142
H308	35	40	M40*1,5	58	36	10	KM8	MB8	2208K	1308K	0,189
H309	40	45	M45*1,5	65	39	11	KM9	MB9	2209K	1309K	0,248
H310	45	50	M50*1,5	70	42	12	KM10	MB10	2210K	1310K	0,303
H311	50	55	M55*2	75	45	12	KM11	MB11	2211K	1311K	0,345
H312	55	60	M60*2	80	47	13	KM12	MB12	2212K	1312K	0,394
H313	60	65	M65*2	85	50	14	KM13	MB13	2213K	1313K	0,458
H314	60	70	M70*2	92	52	14	KM14	MB14	2214K	1313K	0,723
H315	65	75	M75*2	98	55	15	KM15	MB15	2215K	1315K	0,831
H316	70	80	M80*2	105	59	17	KM16	MB16	2216K	1316K	1,030
H317	75	85	M85*2	110	63	18	KM17	MB17	2217K	1317K	1,180
H318	80	90	M90*2	120	65	18	KM18	MB18	2218K	1318K	1,370
H319	85	95	M95*2	125	68	19	KM19	MB19	2219K	1319K	1,560
H320	90	100	M100*2	130	71	20	KM20	MB20	2220K	1320K	1,690
H322	100	110	M110*2	145	77	21	KM22	MB22	2222K	1322K	2,180