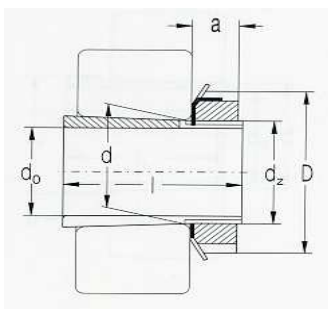


serie H3000



Bearing Number	Dimensions						Appropriate Nut	Appropriate Locking	Weight kg
	d0	d	dZ	D	l	a			
H3024	110	120	M120*2	145	72	22	KML24	MBL24	1,93
H3026	115	130	M130*2	155	80	23	KML26	MBL26	2,85
H3028	125	140	M140*2	165	82	24	KML28	MBL28	3,16
H3030	135	150	M150*2	180	87	26	KML30	MBL30	3,89
H3032	140	160	M160*3	190	93	28	KML32	MBL32	5,21
H3034	150	170	M170*3	200	101	29	KML34	MBL34	5,99
H3036	160	180	M180*3	210	109	30	KML36	MBL36	6,83
H3038	170	190	M190*3	220	112	31	KML38	MBL38	7,45
H3040	180	200	M200*3	240	120	32	KML40	MBL40	9,19
H3048	220	240	Tr240*4	290	133	34	HM3048	MS3048	13,20
H3056	260	280	Tr280*4	330	152	38	HM3056	MS3056	17,70
H3060	280	300	Tr300*4	360	168	42	HM3060	MS3060	22,80