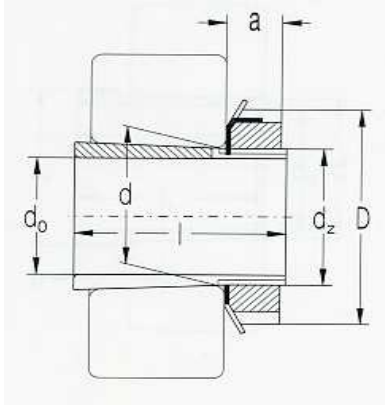


serie H3100



Adapter Number	Dimensions						Appropriate	Appropriate	Weight kg
	d <sub>0</sub>	d	d <sub>z</sub>	D	L	a	Nut	Locking	
H 3120	90	100	M100*2	130	76	20	KM20	MB20	1,78
H 3122	100	110	M110*2	145	81	21	KM22	MB22	2,25
H 3124	110	120	M120*2	155	88	22	KM24	MB24	2,64
H 3126	115	130	M130*2	165	92	23	KM26	MB26	3,66
H 3128	125	140	M140*2	180	97	24	KM28	MB28	4,34
H 3130	135	150	M150*2	195	111	26	KM30	MB30	5,52
H 3132	140	160	M160*3	210	119	28	KM32	MB32	7,67
H 3134	150	170	M170*3	220	122	29	KM34	MB34	8,36
H 3136	160	180	M180*3	230	131	30	KM36	MB36	9,50
H 3138	170	190	M190*3	240	141	31	KM38	MB38	10,80
H 3140	180	200	M200*3	250	150	32	KM40	MB40	12,10
H 3144	200	220	M220*4	280	161	35	KM44	MB44	14,70
H 3148	220	240	M240*4	300	172	37	HM48	MB48	17,30
H 3152	240	260	M260*4	330	190	39	HM52	MB52	22,00
H 3156	260	280	M280*4	350	195	41	HM56	MB56	24,50
H 3160	280	300	M300*4	380	208	40	HM60	MB60	30,20