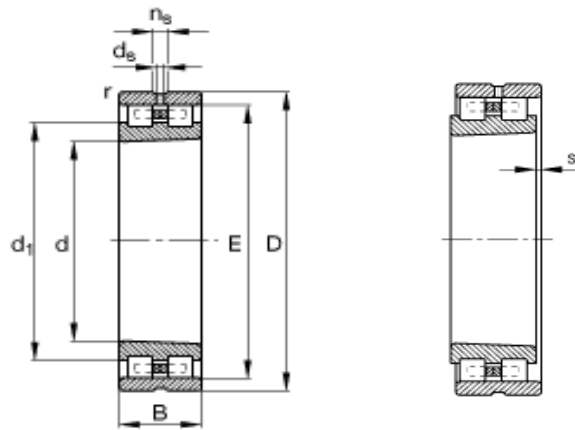


serie NN
3000

CRB®



Bearing Number	Nominal Dimensions			Load Rating (kN)		Limiting Speed (RPM)	Weight of Bearing
	(mm)			Dynamic	Static	Grease	kg
	d	D	B	C	Co	Lube	
NN 3016	80	125	34	118	207	5600	1,500
NN 3017	85	130	34	123	224	5300	1,630
NN 3018	90	140	37	134	260	5000	1,980
NN 3019	95	145	37	123	224	4300	2,260
NN 3020	100	150	37	153	292	4500	2,250
NN 3021	105	160	41	192	350	4800	2,940
NN 3022	110	170	45	220	405	6000	3,730
NN 3024	120	180	46	243	445	5000	3,850
NN 3026	130	200	52	280	530	3600	5,540
NN 3028	140	210	53	293	575	3400	6,050
NN 3030	150	225	56	330	650	3200	7,750
NN 3032	160	240	60	345	675	3000	8,390
NN 3034	170	260	67	435	860	3600	12,900
NN 3036	180	280	74	555	1090	2800	16,900
NN 3038	190	290	75	565	1140	2600	18,000
NN 3040	200	310	82	675	1340	2400	22,1
NN 3044	220	340	90	795	1610	2200	31
NN 3048	240	360	92	810	1690	2000	31,6
NN 3056	280	420	106	1060	2290	1700	52,3