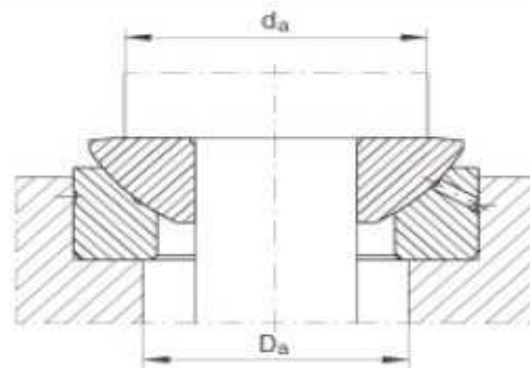
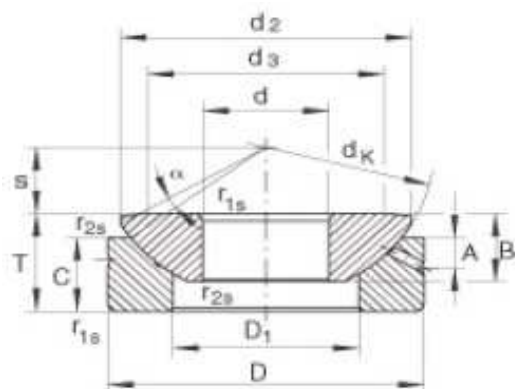


GE .. AX
serie



Product No.	Dimensions															Load rating (kN)		Weight kg
	d	D	T	A	B	C	D1	Da min	d3	da max	dk	r15 min	r25 min	s	α	Dynamic	Static	
GE 10 AX	10	30	9,5	3,0	7,9	6,0	16,5	18,5	21	21	32	0,6	0,2	7,0	10°	24,4	122	0,04
GE 12 AX	12	35	13,0	4,0	9,3	9,0	19,5	21,5	24	24	37	0,6	0,2	8,0	9°	32,4	162	0,07
GE 15 AX	15	42	15,0	5,0	10,7	11,0	24,0	26,0	29	29	45	0,6	0,2	10,0	7°	52,2	261	0,12
GE 17 AX	17	47	16,0	5,0	11,5	11,5	28,0	30,5	34	34	50	0,6	0,2	11,0	6°	59,2	296	0,16
GE 20 AX	20	55	20,0	6,0	14,3	13,0	33,5	38,0	40	40	60	1,0	0,3	12,5	6°	75,1	375	0,26
GE 25 AX	25	62	22,5	6,0	16,0	17,0	34,5	39,0	45	45	66	1,0	0,3	14,0	7°	129	645	0,39
GE 30 AX	30	75	26,0	8,0	18,0	19,5	44,0	49,0	56	56	80	1,0	0,3	17,5	6°	169	848	0,65
GE 35 AX	35	90	28,0	8,0	22,0	20,0	52,0	57,0	66	66	98	1,0	0,3	22,0	6°	259	1290	1,00
GE 40 AX	40	105	32,0	9,0	27,0	22,0	59,0	64,0	78	78	114	1,0	0,3	24,5	6°	373	1860	1,70
GE 45 AX	45	120	36,5	11,0	31,0	25,0	68,0	74,0	89	89	130	1,0	0,3	27,5	6°	486	2430	2,50
GE 50 AX	50	130	42,5	10,0	33,5	32,0	69,0	75,0	98	98	140	1,0	0,3	30,0	5°	650	3250	3,40
GE 60 AX	60	150	45,0	12,5	37,0	33,0	86,0	92,0	108	108	160	1,0	0,3	35,0	7°	735	3670	4,70
GE 70 AX	70	160	50,0	13,5	40,0	36,0	95,0	102	121	121	170	1,0	0,3	35,0	6°	806	4030	5,70
GE 80 AX	80	180	50,0	14,5	42,0	36,0	108,0	115	130	130	194	1,0	0,3	42,5	6°	1030	5180	7,20
GE 100 AX	100	210	59,0	15,0	50,0	42,0	133,0	141	155	155	220	1,0	0,3	45,0	7°	1200	6020	10,90
GE 120 AX	120	230	64,0	16,5	52,0	45,0	154,0	162	170	170	245	1,0	0,3	52,5	8°	1240	6220	13,00
GE 140 AX	140	260	72,0	23,0	61,0	50,0	176,0	187	198	198	272	1,5	0,6	52,5	6°	1630	8170	18,60
GE 160 AX	160	290	77,0	23,0	65,0	52,0	199,0	211	213	213	310	1,5	0,6	65,0	7°	1890	9460	23,90
GE 180 AX	180	320	86,0	26,0	70,0	60,0	224,0	236	240	240	335	1,5	0,6	67,5	8°	2120	10630	31,60

DIN ISO 12 240-3

www.ebeco.cz

ebeco cz, s.r.o.