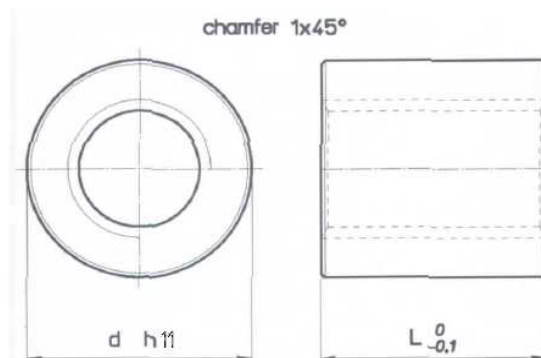


Trapézové
matice MLF -
válcová, ocel



Nut Stock no. RIGHT	Nut Stock no. LEFT	DIAMETER X lead	Thread starts	d mm	L mm	Wt. Kg/each	At mm ² (1)
MLF 12 A R	MLF 12 A L	Tr 12x3	1	36	36	0,255	592
MLF 14 A R	MLF 14 A L	Tr 14x4	1	36	36	0,25	677
MLF 16 A R	MLF 16 A L	Tr 16x4	1	36	36	0,238	792
MLF 16 B R	X	Tr 16x8 (P4)	2	36	36	0,238	792
MLF 18 A R	MLF 18 A L	Tr 18x4	1	36	36	0,224	905
MLF 20 A R	MLF 20 A L	Tr 20x4	1	40	40	0,306	1130
MLF 20 B R	X	Tr 20x8 (P4)	2	40	40	0,306	1130
MLF 22 A R	MLF 22 A L	Tr 22x5	1	40	40	0,29	1225
MLF 25 A R	MLF 25 A L	Tr 25x5	1	45	45	0,4	1590
MLF 25 B R	X	Tr 25x10 (P5)	2	45	45	0,4	1590
MLF 28 A R	MLF 28 A L	Tr 28x5	1	45	45	0,36	1800
MLF 28 B R	X	Tr 28x10 (P5)	2	45	45	0,36	1800
MLF 30 A R	MLF 30 A L	Tr 30x6	1	50	50	0,52	2120
MLF 30 B R	X	Tr 30x12 (P6)	2	50	50	0,52	2120
MLF 35 A R	MLF 35 A L	Tr 35x6	1	55	55	0,65	2764
MLF 40 A R	MLF 40 A L	Tr 40x7	1	60	60	0,79	3440
MLF 40 B R	X	Tr 40x14 (P7)	2	60	60	0,79	3440
MLF 45 A R	MLF 45 A L	Tr 45x8	1	65	65	0,95	4186
MLF 50 A R	MLF 50 A L	Tr 50x8	1	70	70	1,12	5057
MLF 55 A R	MLF 55 A L	Tr 55x9	1	80	80	1,78	6345
MLF 60 A R	MLF 60 A L	Tr 60x9	1	80	80	1,51	6975

Materiál: 11 S Mn Pb 37

www.ebeco.cz

ebeco cz, s.r.o.