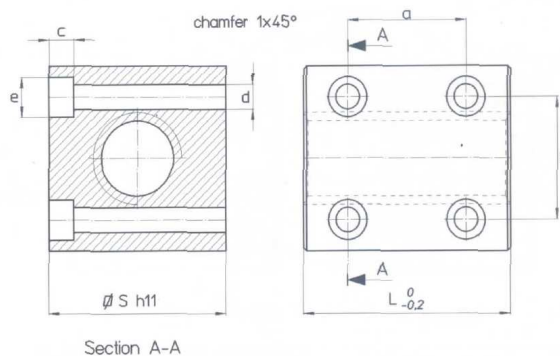


Trapézové  
matice CQF -  
4 hranná,  
ocel



Nut Stock no. <b>RIGHT</b>	Nut Stock no. <b>LEFT</b>	Diameter X lead	Thread starts	S mm	L mm	a mm	b mm	c mm	d mm	e mm	Fixing allen screws UNI 5931	Weight Kg/each	At mm <sup>2</sup> (1)
CQF 12 A R	CQF 12 A L	<b>Tr 12x3</b>	1	25	30	20	17	4,2	4	7	M4	0,123	739
CQF 14 A R	CQF 14 A L	<b>Tr 14x4</b>	1	30	35	24	20	5,2	5	9,5	M5	0,211	658
CQF 16 A R	CQF 16 A L	<b>Tr 16x4</b>	1	35	40	24	21	5,2	5	9,5	M5	0,199	770
CQF 18 A R	CQF 18 A L	<b>Tr 18x4</b>	1	35	45	26	24	6,5	6	10	M6	0,353	1131
CQF 20 A R	CQF 20 A L	<b>Tr 20x4</b>	1	40	50	38	28	6,5	6	10	M6	0,517	1412
CQF 25 A R	CQF 25 A L	<b>Tr 25x5</b>	1	45	55	40	33	6,5	6	10	M6	0,683	1943
CQF 30 A R	CQF 30 A L	<b>Tr 30x6</b>	1	50	60	48	38	6,5	6	10	M6	0,877	2544
CQF 35 A R	CQF 35 A L	<b>Tr 35x6</b>	1	60	70	55	45	8,5	8	13	M8	1,494	3517
CQF 40 A R	CQF 40 A L	<b>Tr 40x7</b>	1	60	70	55	49	8,5	8	9,9	M8 (3)	1,347	4013
CQF 50 A R	CQF 50 A L	<b>Tr 50x8</b>	1	70	90	70	60	8,5	8	9,9	M8 (3)	2,183	6502
CQF 60 A R	CQF 60 A L	<b>Tr 60x9</b>	1	80	100	80	69	8,5	8	9,9	M8 (3)	2,99	8718

Materiál: 11 S Mn Pb 37

[www.ebeco.cz](http://www.ebeco.cz)

ebeco cz, s.r.o.