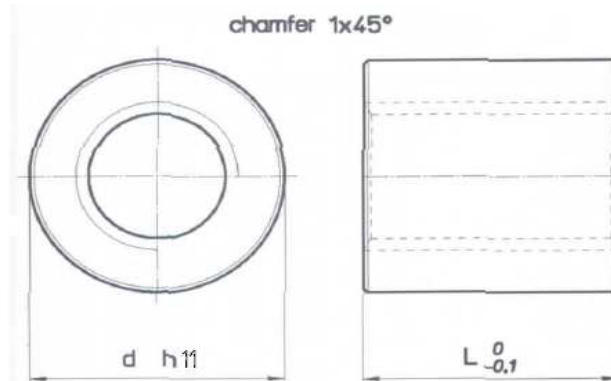


Trapézové
matice HDA -
válcová,
nerez ocel



Nut Stock no. RIGHT	Nut Stock no. LEFT	DIAMETER X lead	Thread starts	d mm	L mm	Wt. Kg/each	At mm ² (1)
HDA 12 A R	HDA 12 A L	Tr 12x3	1	26	18	0,06	297
HDA 14 A R	HDA 14 A L	Tr 14x4	1	30	21	0,095	395
HDA 16 A R	HDA 16 A L	Tr 16x4	1	36	24	0,157	528
HDA 20 A R	HDA 20 A L	Tr 20x4	1	45	30	0,305	847
HDA 24 A R	HDA 24 A L	Tr 24x5	1	50	36	0,436	1215
HDA 30 A R	HDA 30 A L	Tr 30x6	1	60	45	0,766	1908
HDA 36 A R	HDA 36 A L	Tr 36x6	1	75	54	1,462	2799
HDA 40 A R	HDA 40 A L	Tr 40x7	1	80	60	1,808	3440
HDA 50 A R	HDA 50 A L	Tr 50x8	1	90	75	2,653	5418

Materiál: AISI 303

www.ebeco.cz

ebeco cz, s.r.o.