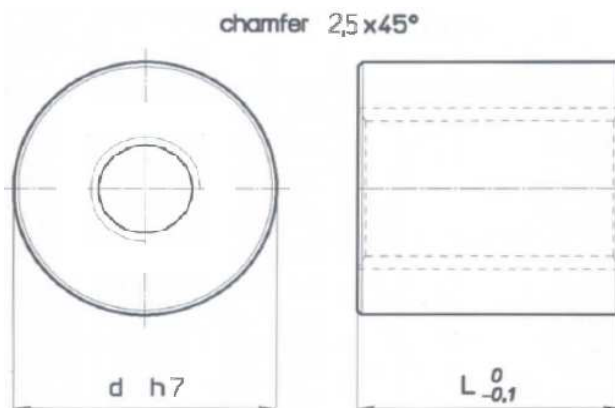


Trapézové
matice BIG -
válcová,
bronz



Nut Stock no. RIGHT	Nut Stock no. LEFT	DIAMETER X lead	Thread starts	d mm	L mm	Wt. Kg/each	At mm ² (1)
BIG 20 A R	BIG 20 A L	Tr 20x4	1	78	60	2,43	1696
BIG 25 A R	BIG 25 A L	Tr 25x5	1	78	75	2,96	2650
BIG 30 R R	BIG 30 R L	Tr 30x3	1	78	90	3,3	3600
BIG 30 Q R	BIG 30 Q L	Tr 30x4	1	78	90	3,31	3560
BIG 30 P R	BIG 30 P L	Tr 30x5	1	78	90	3,32	3500
BIG 30 A R	BIG 30 A L	Tr 30x6	1	78	90	3,33	3435
BIG 35 R R	BIG 35 R L	Tr 35x3	1	88	105	4,85	5000
BIG 35 Q R	BIG 35 Q L	Tr 35x4	1	88	105	4,86	4900
BIG 35 P R	BIG 35 P L	Tr 35x5	1	88	105	4,87	4820
BIG 35 A R	BIG 35 A L	Tr 35x6	1	88	105	4,89	4750
BIG 40 R R	BIG 40 R L	Tr 40x3	1	98	120	6,8	6530
BIG 40 Q R	BIG 40 Q L	Tr 40x4	1	98	120	6,62	6447
BIG 40 P R	BIG 40 P L	Tr 40x5	1	98	120	6,63	6360
BIG 40 O R	BIG 40 O L	Tr 40x6	1	98	120	6,85	6277
BIG 40 A R	BIG 40 A L	Tr 40x7	1	98	120	6,87	6200
BIG 40 I R	X	Tr 40x10	1	98	120	6,91	6597
BIG 50 R R	BIG 50 R L	Tr 50x3	1	108	150	9,74	10300
BIG 50 Q R	BIG 50 Q L	Tr 50x4	1	108	150	9,77	10180
BIG 50 P R	BIG 50 P L	Tr 50x5	1	108	150	9,79	10070
BIG 50 O R	BIG 50 O L	Tr 50x6	1	108	150	9,82	9965
BIG 50 A R	BIG 50 A L	Tr 50x8	1	108	150	9,87	9750
BIG 50 I R	X	Tr 50x10	1	108	150	9,92	10600
BIG 60 O R	X	Tr 60x6	1	118	180	13,29	14500
BIG 60 N R	X	Tr 60x7	1	118	180	13,32	14380
BIG 60 A R	X	Tr 60x9	1	118	180	13,36	14130

Materiál: Cu Sn12 – C

www.ebeco.cz

ebeco cz, s.r.o.