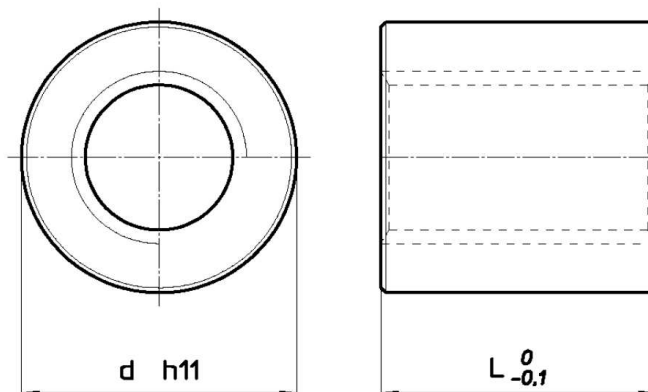


Trapézové
matice MPH –
válnová z
plastu

CRB[®]

Fasety 1x45°



Nut Stock no. RIGHT	Nut Stock no. LEFT	Diameter X lead	Thread starts	d mm	L mm	Weight Kg/each	At mm ² (1)
MPH 12 A R	MPH 12 A L	Tr 12x3	1	26	24	0,012	396
MPH 16 A R	MPH 16 A L	Tr 16x4	1	36	32	0,030	704
MPH 20 A R	MPH 20 A L	Tr 20x4	1	45	40	0,060	1130
MPH 25 A R	MPH 25 A L	Tr 25x5	1	50	48	0,083	1696
MPH 28 A R	MPH 28 A L	Tr 28x5	1	60	60	0,154	2400
MPH 28 B R	X	Tr 28x10 (P5)	2	60	60	0,154	2400
MPH 30 A R	MPH 30 A L	Tr 30x6	1	60	60	0,150	2544
MPH 35 A R	MPH 35 A L	Tr 35x6	1	75	72	0,290	3618
MPH 40 A R	MPH 40 A L	Tr 40x7	1	80	80	0,355	4587
MPH 50 A R	MPH 50 A L	Tr 50x8	1	90	100	0,523	7225

Materiál: PA 6 + Mo S2

www.ebeco.cz

ebeco cz, s.r.o.