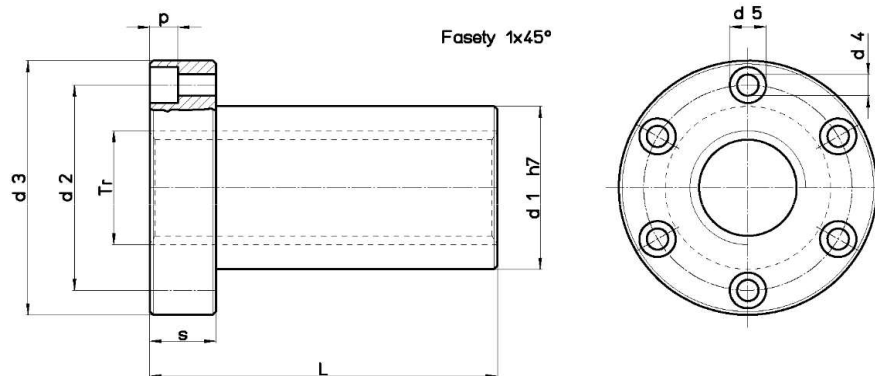


Trapézové  
matice HAL -  
přírubová,  
hliníkový  
bronz



Nut Stock no. RIGHT	Nut Stock no. LEFT	Diameter X lead	Thread starts	d1 mm	d2 mm	d3 mm	d4 mm	d5 mm	p mm	L mm	s mm	no. screw holes	Fastening screws (class 8,8)	Weight Kg/each	At mm <sup>2</sup> (1)
HAL 30 A R	HAL 30 A L	Tr 30x6	1	40	53	68	6,5	11	6,5	90	18	6	M6	0,712	3816
HAL 35 A R	X	Tr 35x6	1	50	63	78	8,5	14	8,5	105	20	6	M8	1,222	5277
HAL 40 A R	HAL 40 A L	Tr 40x7	1	55	68	84	8,5	14	8,5	120	25	6	M8	1,622	6880
HAL 40 I R	X	Tr 40x10	1	55	68	84	8,5	14	8,5	120	25	6	M8	1,684	6597
HAL 50 A R	HAL 50 A L	Tr 50x8	1	65	80	100	10,5	17	10,5	150	30	6	M10	2,590	10840
HAL 50 I R	X	Tr 50x10	1	65	80	100	10,5	17	10,5	150	30	6	M10	2,670	10600
HAL 60 A R	X	Tr 60x9	1	75	95	118	12,5	19	12,5	180	35	6	M12	3,982	15700

Materiál: CuAl11Fe6Ni6-C

[www.ebeco.cz](http://www.ebeco.cz)

ebeco cz, s.r.o.